

# S276.5 SMV EMBLEM



## Illinois Law

---

### Standard Boosts Reflectivity & Safety

Since September 1, 2004, all slow-moving vehicle emblems in use in the State of Illinois have had to meet or exceed the specifications and mounting requirements established by the American Society of Agricultural & Biological Engineers (ASABE) in standard **S276.5**. Prior to that, Illinois law had required SMV emblems used in this state to comply with a much older standard.

There are two principle changes in the newer standard:

- The reflectivity of the material used to make the emblem; and,
- The expected lifespan for both the orange and the red materials.

The difference between the two standards is like night and day with the newer red material appearing to be about 10X as bright as the older material at night. Both the new red and orange materials will last about twice as long as the older material before fading below reflectivity levels set by the standard. That should lower the long-term purchase costs and cut in half the labor required to replace them.

Packaging of SMV emblems that meet the **S276.5** standard will be labeled with that number (or higher) when you buy them. Most will also display that label directly on the bottom of the emblem face.

### Use and Misuse

The Illinois Vehicle Code requires that certain vehicle types display the SMV emblem when operated on public roads—day and night. It is not contingent on the actual speed of the vehicle. The vehicle types affected are:

- Implements of husbandry (*farm eq.*)
- Animal-drawn vehicles
- Special mobile equipment
- Neighborhood vehicles (where permitted)

Any use of the SMV emblem other than for these vehicle types (i.e.: as driveway markers or on trucks or trailers) is prohibited by Illinois law. Such misuse should be discouraged because it distorts the true meaning of the emblem for the motoring public. Violators can be fined up to \$75.

### Availability & Potential for Confusion

The newer **S276.5**-compliant emblems are readily available from most suppliers and from most county Farm Bureaus®.

Though the new emblems are available, so are the older ones. Because the older ones are usually cheaper, merchants tend to stock them and some consumers will be tempted to buy them. Check for a label applied to the emblem or the emblem's package displaying the newer standard number **S276.5** or higher.

## Even Newer Standard

The ASABE continually updates its standards, though state law is updated less often. Today, while the State of Illinois requires compliance with S276.5, the ASABE has revised that standard to a new level—S276.6. When purchasing SMV emblems, you might encounter emblems labeled to comply with this revised standard; that is not likely to pose a problem. The S276.6 standard still includes the same reflectivity requirements found in S276.5. It is generally agreed among administrators that emblems labeled to the S276.6 standard will satisfy the requirements of Illinois law.

## References

- IL Statutes: 625 ILCS 5/12-709  
625 ILCS 5/1-130  
625 ILCS 5/1-191  
625 ILCS 5/11-1426.1
- IL Admin. Code: Title 92, Part 564
- ASAE at: <http://www.asabe.org>
- IL Farm Bureau® at: <http://www.ilfb.org>

## Contacts for More Information

### Illinois Farm Bureau®

Kevin B. Rund  
Senior Director of Local Government  
PO Box 2901 309-557-3274  
Bloomington, IL 61701 [rund@ilfb.org](mailto:rund@ilfb.org)

### University of Illinois College of ACES & University of Illinois Extension

217-333-9417  
<http://age-web.age.uiuc.edu/agsafety/contact.html>

### Illinois State Police

Commercial Vehicle Enforcement Section  
217-785-6267

### American Society of Agricultural & Biological Engineers

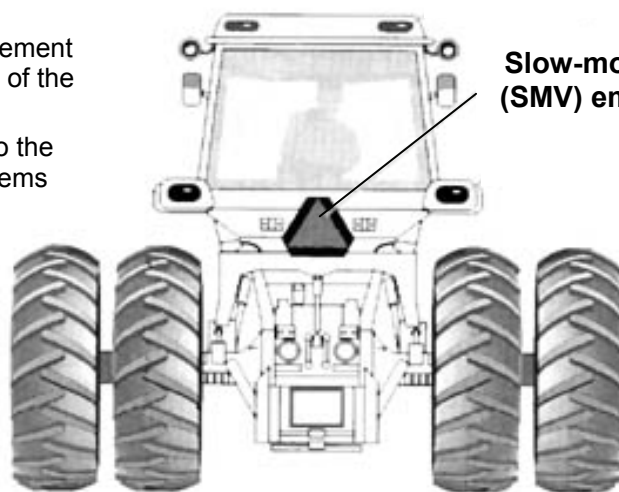
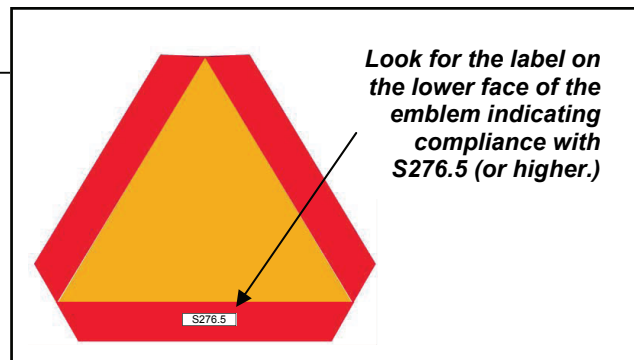
2950 Niles Road  
St. Joseph, MI 49085-9659  
(269) 429-0300

## Mounting the SMV Emblem

ASAE standards spell out how the SMV emblem is to be positioned on farm equipment:

- Perpendicular to the direction of travel
- Visible to the rear
- Point of the triangle upward
- As near to the rear and centered, or as near to the left of center of the equipment as practical.
- From 2' to 10' above the pavement (measured to the lower edge of the emblem)
- Securely and rigidly affixed to the equipment. (Moveable emblems may be mounted with socket and bracket.)

If the SMV emblem on the tractor is obscured by an implement being towed—or if the implement is more than 16 feet long from the hitch point—display an SMV emblem on the back of the implement.



Graphic courtesy of University of Illinois Extension